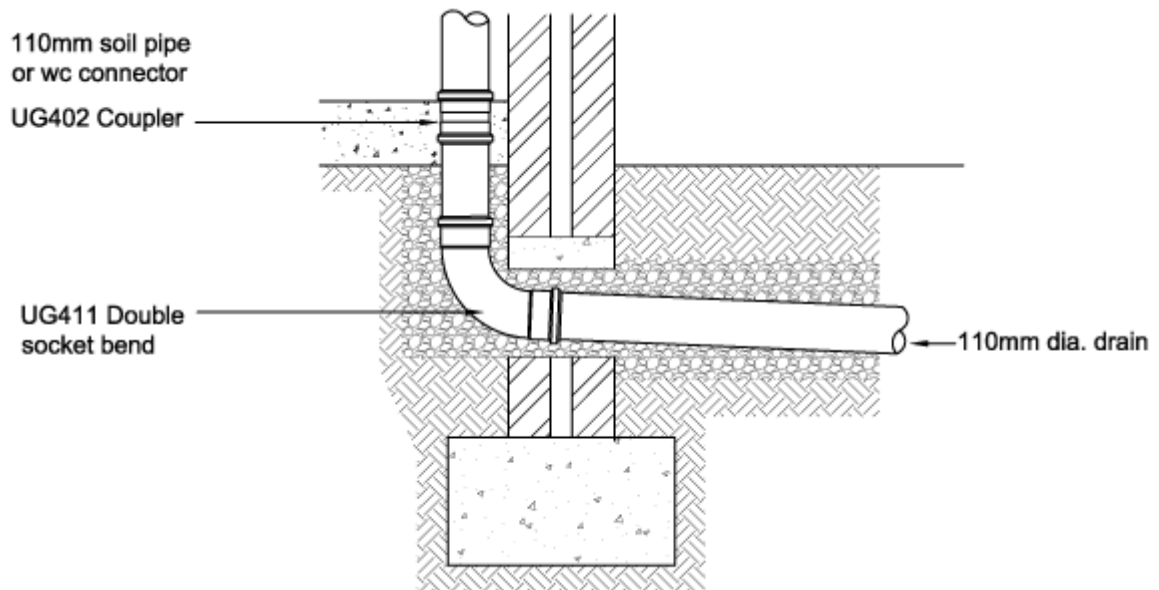
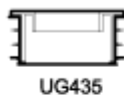
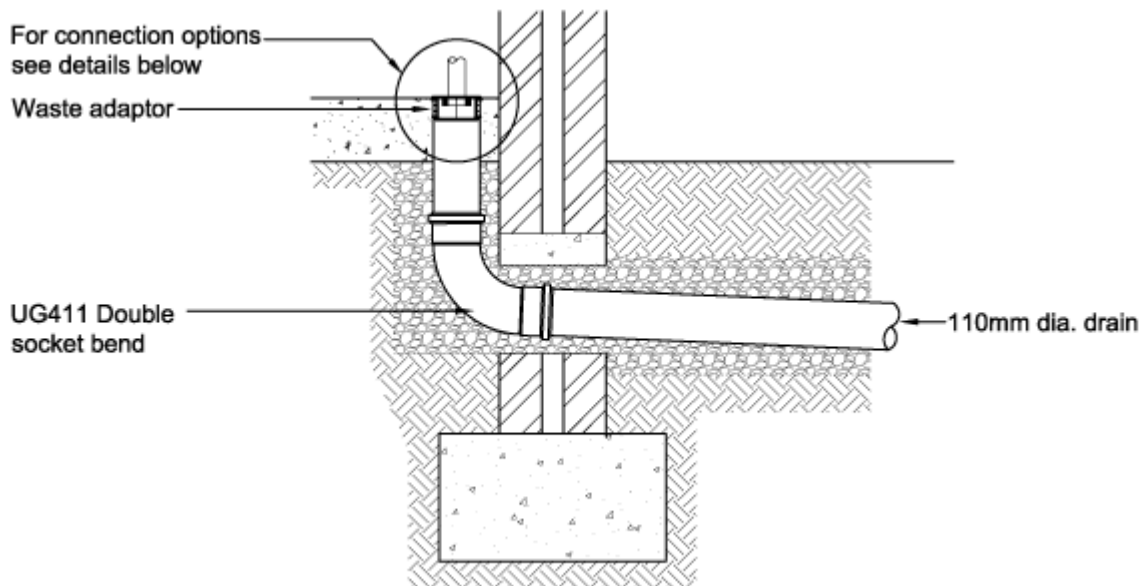


Direct Pipe – Pipe Connections

1. Direct Pipe/WC Connection



2. Waste Pipe Connection

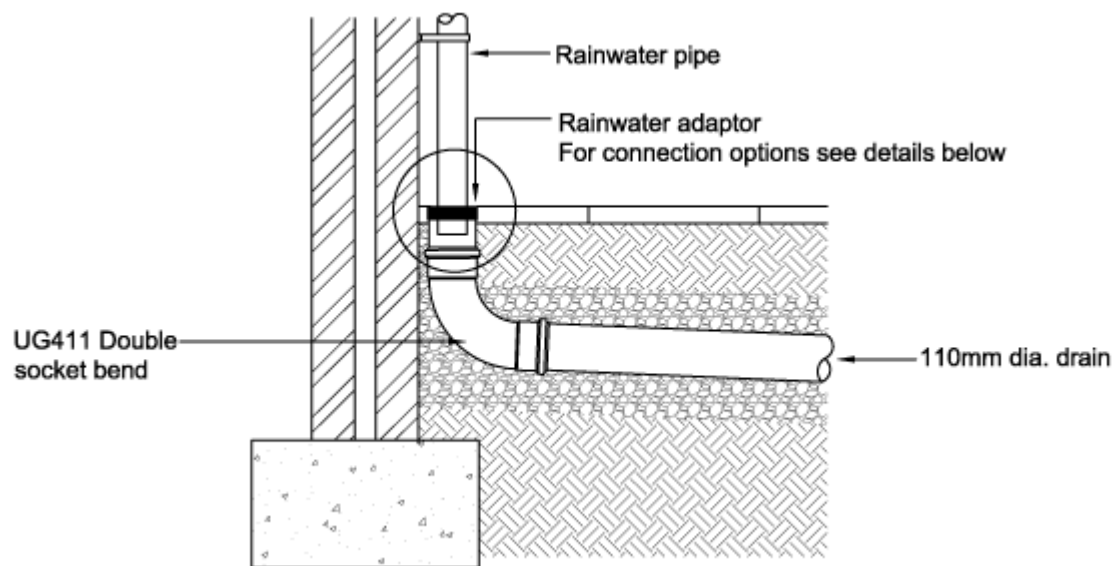


Designed for insertion into 110mm plain end pipe.
Requires boss adaptor.
For 32mm waste pipe use SN32 or SN63
For 40mm waste pipe use SN40 or SN64
For 50mm waste pipe use SN50 or SN65



Designed for insertion into 110mm ring seal socket.
For 32mm waste pipe use UG455
For 40mm waste pipe use UG456
For 50mm waste pipe use UG457
For 32mm and 40mm waste pipes use UG461
For 2 no. 40mm waste pipes use UG492

3. Rainwater Pipe Connection



Universal Drain Adaptor - EPDM
 UG485 - Locates on 110mm socket
 UG493 - Locates on 110mm spigot/plain end pipe

Will accept all rainwater and waste pipes.
 For square section rainwater pipe, cut to template
 indicated on underside



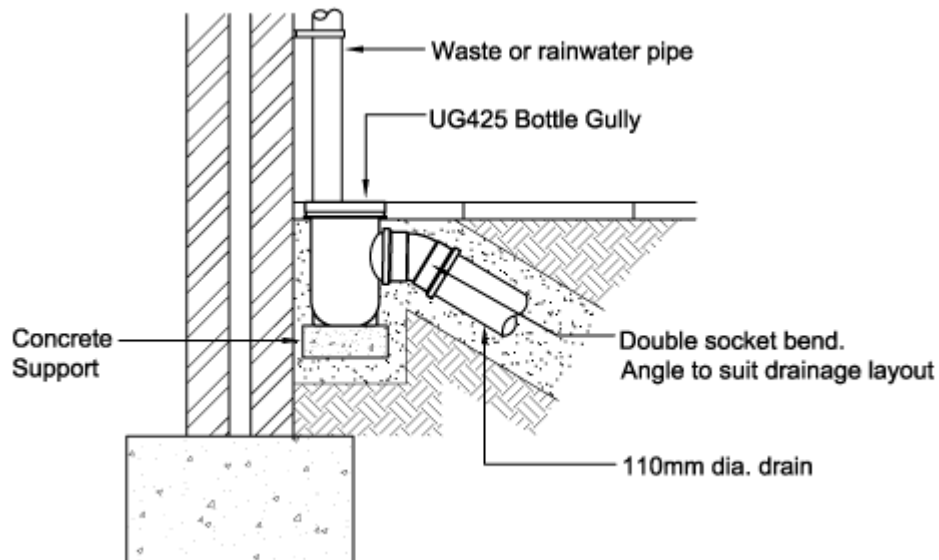
Rainwater Adaptor - Polypropylene
 UG254 - Locates on 110mm socket or spigot

Will accept 68mm circular rainwater pipe
 For square section rainwater pipe, insert
 RS231 adaptor

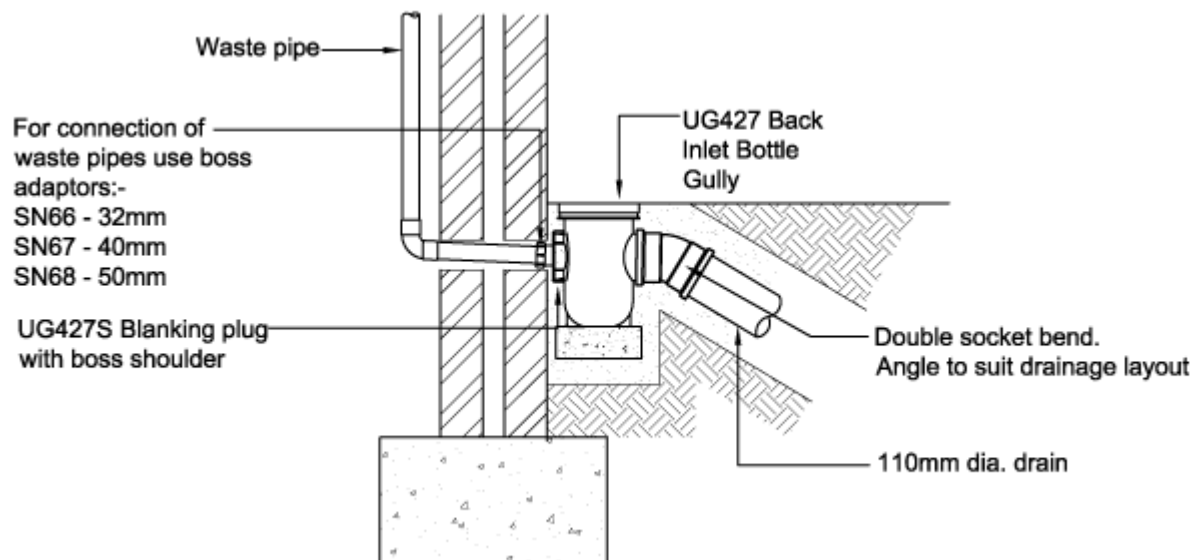
Where a combined drainage system is being used, a trapped gully should be used at the base of the rainwater pipe.

Gully Connections

1. Bottle Gully Detail



2. Back Inlet Bottle Gully Detail



3. Rectangular Hopper/Universal Gully Trap Detail

