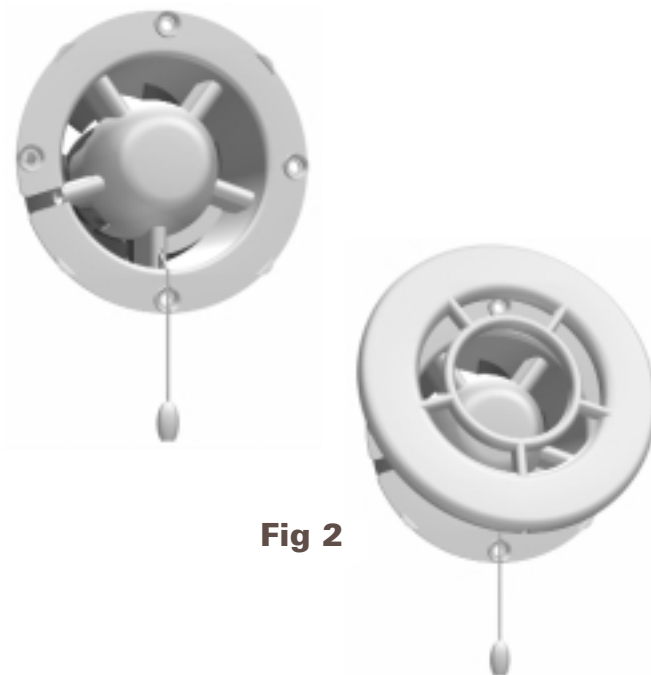
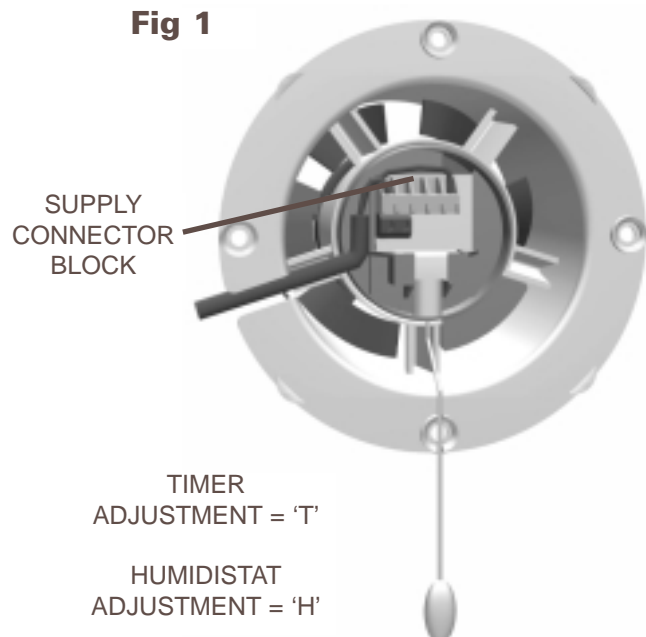


1K/1KR Available separately  
(includes both external grille options)

1. Remove snap fit front fascia (snaps located at top and bottom edges only).
2. Determine position for fan and cut a hole 110-115mm diameter.
3. Locate fan into hole and mark fixing screw and cable entry locations.
4. Locate external grille and mark fixing screw locations.
5. Drill and plug all fixing holes and route electric supply cable.
6. Fit ducting to external grille and pass ducting through wall. NOTE: Fan will perform best if ducting is extended fully and cut to length as required.
7. Locate and fix external grille.
8. Fit ducting to rear of fan.
9. Locate and fix fan into hole and locate electric cable into open slot at the side of the fan.

10. Using a small pair of pliers, pinch the lowest spoke walls (with the pull switch cord slot) together, to unclip the centre cover. Pull the centre cover forward to reveal the connector block.
11. Make electrical connections as per Fig 1 and wiring diagrams set out overleaf. Ensure that the cable outer sheath is cut back to allow wiring to align with the side spoke.
12. Relocate and fit snap fit centre cover. On pull switch versions, ensure that pull cord passes freely through the slot on the lower spoke.
13. Locate fascia by aligning notch on the fascia edge with the lower (vertical) spoke. Locate top two clips first, then by inserting your fingers into the fascia lower edge, push the fascia downward and against the fan body to snap fit fascia in place. (See Fig 2)

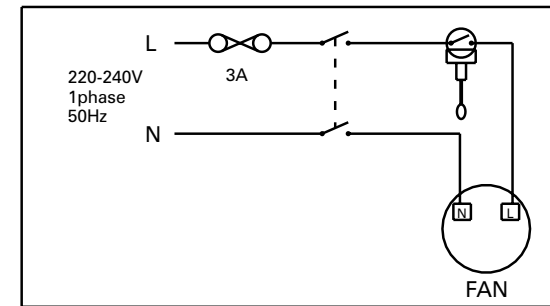
**Fig 1**



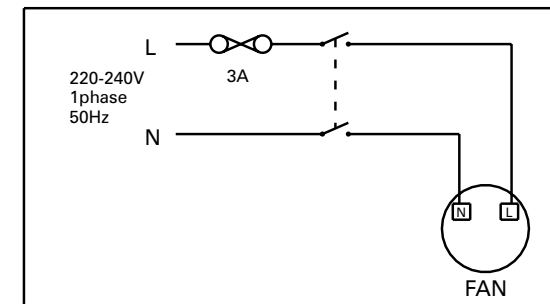
**Fig 2**

**Note:**

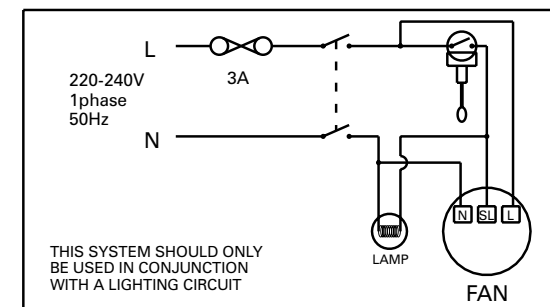
For all wiring, isolator contacts must have a minimum separation of 3mm in all poles  
1.5mm<sup>2</sup> maximum cable size to be used



To suit Models: DS1/DS1R



To suit Models: DH1/DH1R



To suit Models: DT1/DT1R



## DOMUS INSTALLATION INSTRUCTIONS

### GENERAL MOUNTING AND SAFETY NOTES

- (i) For best performance, fans should be mounted on a wall as high as possible.
- (ii) Extraction fans should not be located in rooms containing open flued appliances.
- (iii) Wall mounted fans are not intended for use with ducting beyond 1 metre in length. For systems requiring ducting up to 3 metres use the Domus mixed flow duct mounted fan range.
- (iv) Do not install 240V fans in a shower or bathroom application where the fan may be within reach of someone using a bath or shower, or subject to water spray (zones 0 and 1). (For these applications use Domus SELV 12V fan range only. Not available in Disc Fan Format).
- (v) These fans are double insulated and do not require an earth connection.
- (vi) For systems incorporating back draught shutters ensure that the shutter grille is mounted on a vertical wall with the shutters oriented correctly. Take care to ensure that shutter movement is not restricted.
- (vii) WHEN INSTALLING FANS, SWITCH OFF MAINS SUPPLY BEFORE MAKING ELECTRICAL CONNECTIONS. ALL WIRING MUST COMPLY WITH CURRENT IEE REGULATIONS. IF IN DOUBT, CONSULT A QUALIFIED ELECTRICIAN.

### Timer versions

Timer is adjustable between 1 to 25 minutes run time. Fans have been factory set at mid range. Using a small flat bladed screwdriver adjust dial on circuit board (see Fig 2), by turning anticlockwise to reduce run time and clockwise to extend run time.

### Humidistat versions

Humidistat is adjustable between 65% to 85% RH (relative humidity). Fans have been factory set at mid range. Using a small flat bladed screwdriver adjust dial on circuit board (see Fig 2), by turning anticlockwise to start fans at lower humidity (65%) and clockwise to start fans at higher humidity (85%).

### Maintenance

The front fascia can be removed and cleaned with domestic cleaner or soapy water. Once a year isolate the fan from the electrical supply and remove any dust and debris with a soft brush. Do not attempt to remove centre motor cover. Do not use water on any parts other than the front fascia.